

Specification sheet LX 479

Parapet roof drainage systems

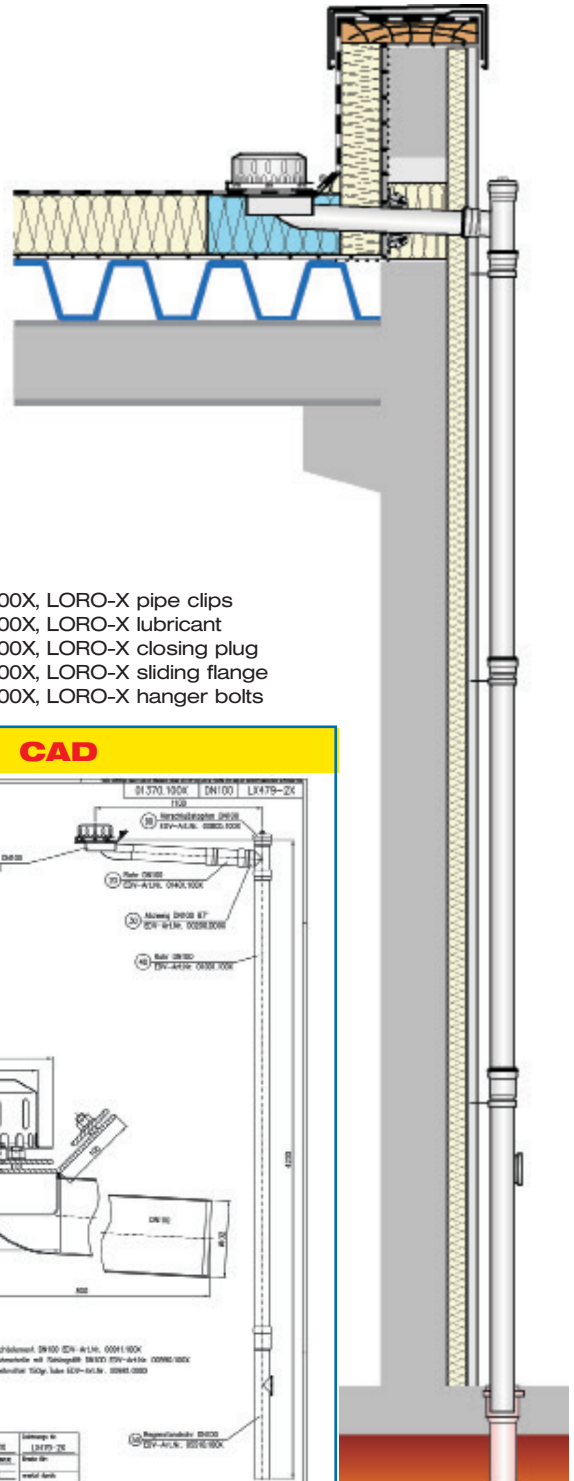
Series 79/88 RAINSTAR®

Main drainage

Gravity flow

Silent Power

Discharge rate:	5,4 l/s
Water height:	35 mm
Roof penetration:	106 mm
Diameter:	DN 100
LX-Number:	LX 479
Weir height:	0 mm
Drain:	ventilated
Downpipe:	not ventilated
Downpipe height:	4,2 m
Drainage:	in sewer
Flange form:	Clamping flange

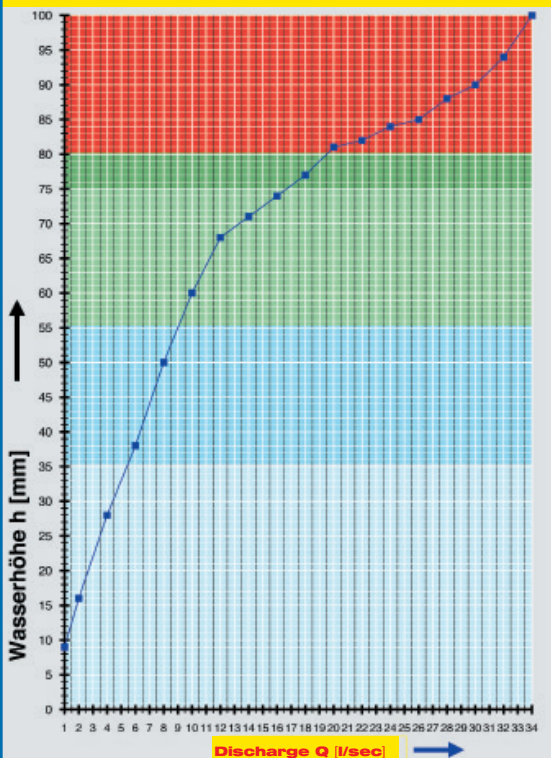


LX 479 Piece list

1 x Art.-No. choose drain on page two!
 1 x Art.-No. 01401.100X, LORO-X pipe with one socket
 1 x Art.-No. 00200.DD0X, LORO-X branch
 1 x Art.-No. 01001.100X, LORO-X pipe with one socket
 1 x Art.-No. 05510.100X, LORO-X stand pipe
 4 x Art.-No. 00911.100X, LORO-X sealing elements

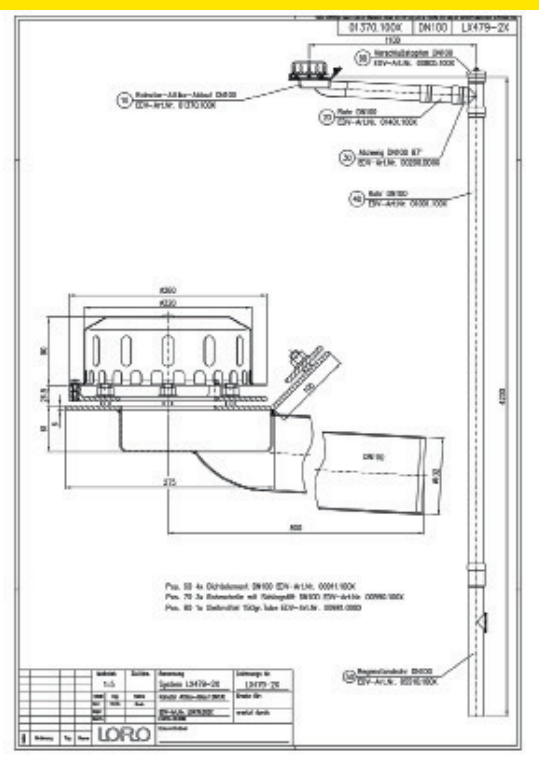
3 x Art.-No. 00975.100X, LORO-X pipe clips
 1 x Art.-No. 00986.000X, LORO-X lubricant
 1 x Art.-No. 00805.100X, LORO-X closing plug
 1 x Art.-No. 13236.100X, LORO-X sliding flange
 3 x Art.-No. 09604.200X, LORO-X hanger bolts

hQ - Head-Discharge curve



Systempower

CAD



Systemshape

Water height	mm	5	10	15	20	25	30	35	40	45	50	55	60	65	70	75
Discharge	l/sec		1,1	1,8	2,6	3,5	4,4	5,4	6,3	7,2	8,0	9,0	10,0	11,2	13,3	
		Silent			Silent Power			Power								

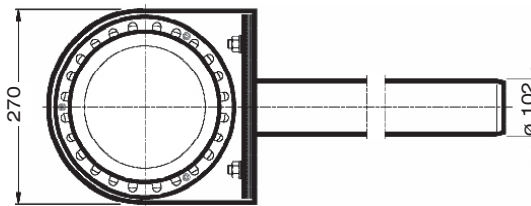
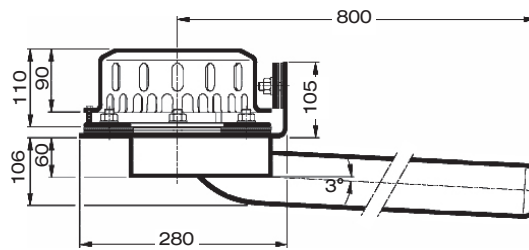
Choose drain for piece list on page one!

DN 100

LX479-1X

Drain Art.-No. 01372.100X
Weight: 6,7 kg

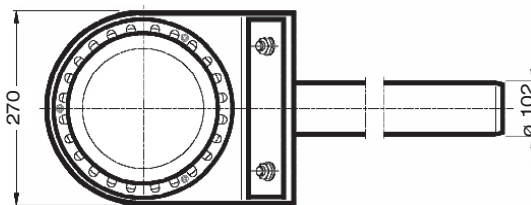
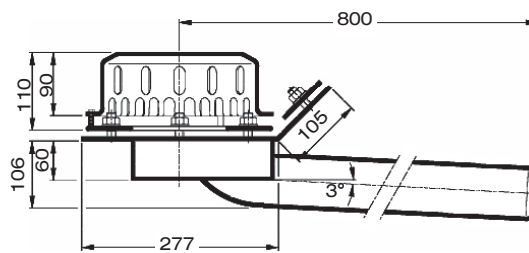
Series 79 (RA)
clamping flange 90°
for plastic roofing sheets



LX479-2X

Drain Art.-No. 01370.100X
Weight: 6,7 kg

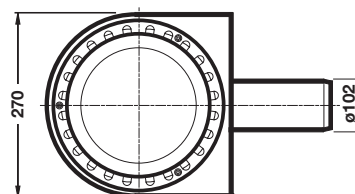
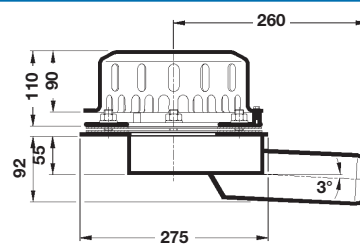
Series 79 (RA)
clamping flange 45°
for bituminous roofing sheets



LX479-4X

Drain Art.-No. 01390.100X
Weight: 4,1 kg

Series 88
clamping flange
without raised edge
for bituminous and plastic
roofing sheets



Heat tracing: Lorowerk recommends to check all drains and pipes with regard to their frost-sensibility. Where necessary, these parts should be upgraded with heat tracing.